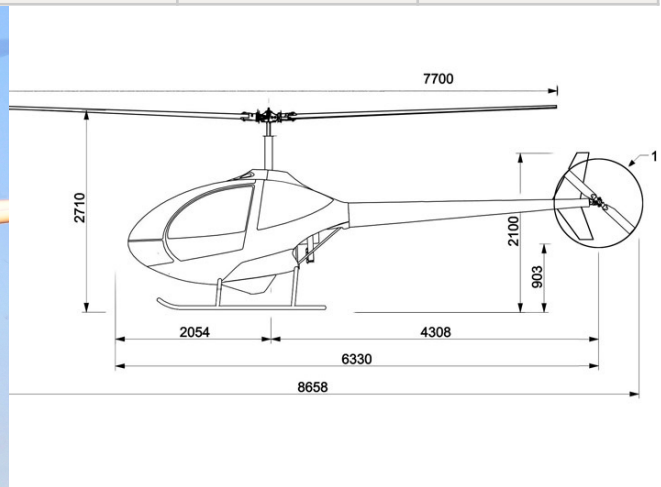


Cicaré¹²

Side by Side Seat Helicopter

Characteristics	Seats	2	Performance		
Dimensions	Height	2,71m.		Max speed(VNE)	205 km/h
	Width	2,20m.		Cruise Speed	160 km/h
Rotor diam./blades	Main	7,70m./2 blades		HP. Max. Cont.	180
	Tail	1,00m./2 blades		Rate of Climb	7 m/s
Engine	Model	Lycoming HIO-360- G1A	Weight	Empty	430 Kg.
	Type	4 cylinder boxer		MTOW	700 Kg.
Endurance		3 hrs	Fuel Type	Gasoline	AVGAS 100LL



Basic Components of the Cicaré 12

1. Airframe made of SAE 4130 steel tubes.
2. Skids made of SAE 4130 steel tubes and aluminium.
3. Main gearbox with commands system.
4. Main rotor with composite blades.
5. Tail rotor gearbox.
6. Tail rotor with composite blades.
7. Aluminium made vertical and horizontal stabilizer.
8. Tail boom with cardan transmission and push-pull command system.
9. Composite cabin, including windshield, doors, engine cover, seat and seatbelt.
10. Dual controls.
11. Two fuel tanks.
12. Standard instrument panel.
 - a. Dual engine-rotor tachometer.
 - b. Main transmission temperature indicator.
 - c. Compass or directional gyro.
 - d. Hour meter.
 - e. Fuel level indicator.
 - f. Engine instruments.
 - g. Standard flight instruments.
 - h. Warning lights.
 - i. Navigation and anti-collision lights.
13. Assembly manual.
14. Maintenance manual.
15. Operation Manual.
16. Parts catalogue.
17. Carrying wheels.
18. Cabin, blade tip and rotor protector - cover.
19. Specific tools for maintenance.

List of Optionals

Com Kit (radio, Antenna, installation):

Carry-on Wheels

Leather Seats:

Premium Leather Package:

Extra lights:

Instrument Panel:

Landing Light:

Storage Space:

Single Seat Trunk:

Seats Side bags:

Intercom and Headset Assembly :

Cicare Assembly:

Personalized Plotting:

Charly7 SPA DISTRIBUIDOR OFICIAL CICARÉ PARA CHILE Y PE